

BLU1 R NEW



WATER PLUS



EXTERNAL TEMPERATURE REGULATION



DOUBLE SAFETY THERMOSTAT



TITAN SHIELD



HIGH EFFICIENCY INSULATION



ITALIAN DESIGN



1. ADVANCED PERFORMANCE

- / WaterPlus technology*: up to 16%** more hot water available
- / Compliant with top ESWH regulations

2. FULL COMFORT

- / External temperature setting
- / Double safety thermostat

TECHNICAL DATA

		BLU1 R 50 V EU	BLU1 R 80 V EU	BLU1 R 100 V EU	BLU1 R 80 H EU	BLU1 R 100 H EU
Installation		V	V	V	H	H
Capacity	L	50	80	100	80	100
Max working pressure	bar	8	8	8	8	8
Power	KW	1,5	1,5	1,5	1,5	1,5
Voltage	V	220-240	220-240	220-240	220-240	220-240
IP class	IP	IPX3	IPX3	IPX3	IPX1	IPX1
Max working temp	°C	75	75	75	75	75
Heat dispersion 65°C	KWh/24h	0,99	1,35	1,56	1,48	1,65
Heating time ΔT 45C	h,min	145	2,37	3,19	1,53	2,20
Weight	Kg	16	20,5	24	20,5	24

OVERALL DIMENSIONS

		BLU1 R 50 V EU	BLU1 R 80 V EU	BLU1 R 100 V EU	BLU1 R 80 H EU	BLU1 R 100 H EU
A	mm	573	778	918	748	918
B	mm	163	163	163	-	-
C	mm	-	-	-	178	178
D	mm	-	-	-	334	486

CODE

Code	BLU1 R 50 V EU	BLU1 R 80 V EU	BLU1 R 100 V EU	BLU1 R 80 H EU	BLU1 R 100 H EU
Code	3201890	3201891	3201892	3201893	3201894

Erp class

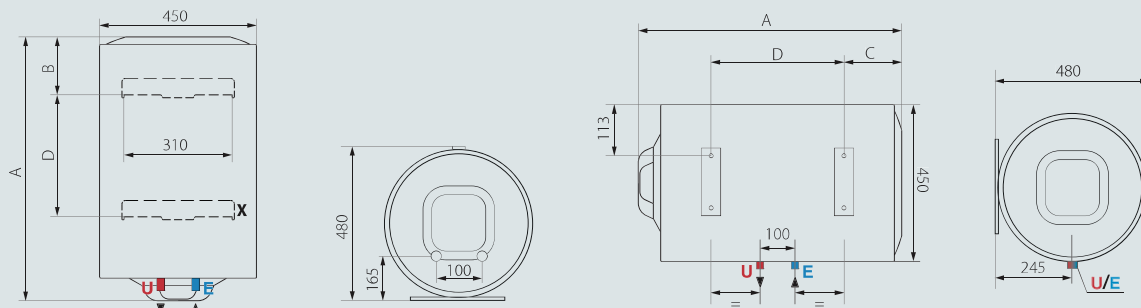


Tapping profile

The capacity indicated in this catalogue identifies the product category. The effective capacity of the product is given in the relevant technical documentation provided with the product.

* Patented in Spain, patent pending in IT, FR, TK, RU, CN, VN, UAE

** Maximum estimated saving, depending on models. Comparison made using V40 test results at maximum operating temperature between current ATG products and new ATG products equipped with WaterPlus Technology



LEGEND

- E** Cold water inlet G 1/2"
- U** Hot water outlet G 1/2"